

**Grundfos UPM3 SOLAR  
25-75**

# ZB RDS2+DSR1



**DSR1**



**DE**

## Pumpensteuerung PWM-0...10V

101	Drehzahlsteuerung	PWM; 0...10 V	PWM
102	Grundfrequenz	180 Hz; 2 kHz	2 kHz
103	PWM Level EIN	0% bis 100%	85%
104	PWM Level AUS	0% bis 100%	91%
105	PWM Level P.min	0% bis 100%	<del>85%</del> = 15%
106	PWM Level P.max	0% bis 100%	<del>0%</del> = 100%
107	PWM Level P. höchst	Aus; 0 % bis 100 %	Aus
108	Spannung 0%	0 bis 10 V	0 V
109	Spannung 100%	0 bis 10 V	10 V
110	Spannung AUS	0 bis 10 V	0 V

**GB**

## Pump controller PWM-0...10V

101	Speed control variant	PWM; 0...10 V	PWM
102	PWM base frequency	180 Hz; 2 kHz	2 kHz
103	PWM ratio ON	0% to 100%	85%
104	PWM ratio OFF	0% to 100%	91%
105	PWM ratio Pmin	0% to 100%	<del>85%</del> = 15%
106	PWM ratio Pmax	0% to 100%	<del>0%</del> = 100%
107	PWM ratio Poversped	OFF; 0% to 100%	Off
108	Voltage 0%	0 to 10 V	0 V
109	Voltage 100%	0 to 10 V	10 V
110	Voltage OFF	0 to 10 V	0 V

**FR**

## Contrôle de la pompe PWM-0...10V

101	Contrôle de la vitesse	PWM ; 0...10 V	PWM
102	PWM fréq. fondement	180 Hz ; 2 kHz	2 kHz
103	PWM niveau P.éen	0% à 100%	85%
104	PWM niveau P.uit	0% à 100%	91%
105	PWM niveau P.min	0% à 100%	<del>85%</del> = 15%
106	PWM niveau P.max	0% à 100%	<del>0%</del> = 100%
107	PWM niveau P. extrême	Arrêt ; 0 % à 100 %	Arrêt
108	Voltage 0%	0 à 10 V	0 V
109	Voltage 100%	0 à 10 V	10 V
110	Voltage arrêt	0 à 10 V	0 V

**BE**

## Pompsturing PWM-0...10V

101	Toerentalregeling	PWM; 0...10 V	PWM
102	PWM grondfrequentie	180 Hz; 2 kHz	2 kHz
103	PWM niveau P.éen	0% tot 100%	85%
104	PWM niveau P.uit	0% tot 100%	91%
105	PWM niveau P.min	0% tot 100%	<del>85%</del> = 15%
106	PWM niveau P.max	0% tot 100%	<del>0%</del> = 100%
107	PWM niveau P.extreem	Uit; 0 % tot 100 %	Uit
108	Spanning 0%	0 tot 10 V	0 V
109	Spanning 100%	0 tot 10 V	10 V
110	Spanning UIT	0 tot 10 V	0 V

**IT**

## Controllo pompa PWM-0...10V

101	Controllo velocità	PWM; 0...10 V	PWM
102	PWM freq. base	180 Hz; 2 kHz	2 kHz
103	PWM pompa ON	da 0% a 100%	85%
104	PWM pompa OFF	da 0% a 100%	91%
105	PWM min pompa	da 0% a 100%	<del>85%</del> = 15%
106	PWM max pompa	da 0% a 100%	<del>0%</del> = 100%
107	PWM overspeed pompa	OFF; da 0 % a 100 %	OFF
108	Voltaggio velocità 0%	da 0 a 10 V	0 V
109	Voltaggio velocità 100%	da 0 a 10 V	10 V
110	Voltaggio OFF	da 0 a 10 V	0 V

**ES**

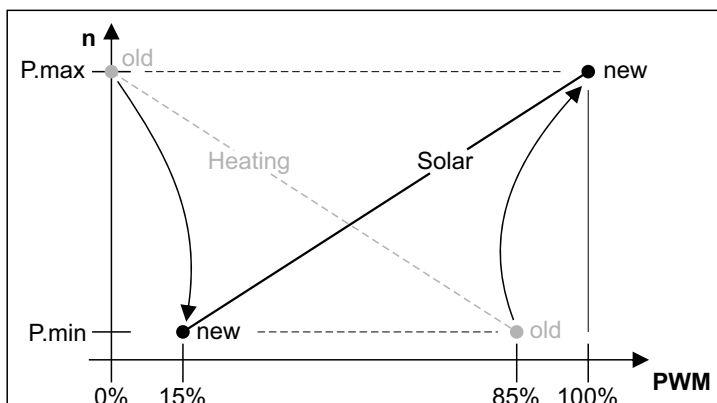
## Control de bomba PWM-0...10V

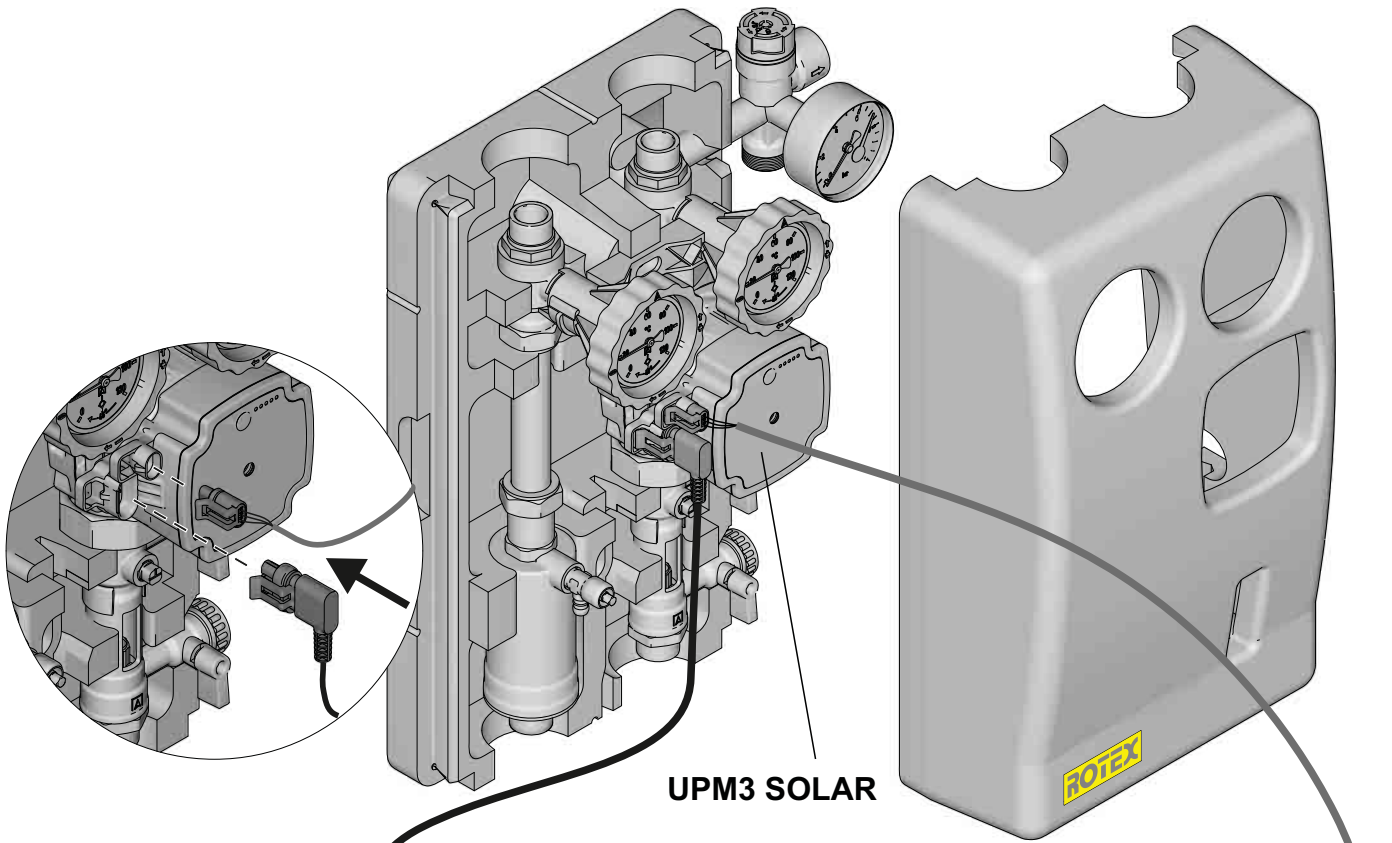
101	Control de velocidad	PWM; 0...10 V	PWM
102	PWM frecuencia base	180 Hz; 2 kHz	2 kHz
103	PWM nivel ON	0% a 100%	85%
104	PWM nivel OFF	0% a 100%	91%
105	PWM nivel P.mín	0% a 100%	<del>85%</del> = 15%
106	PWM nivel P.máx	0% a 100%	<del>0%</del> = 100%
107	PWM nivel P.exceso	Off; 0 % a 100 %	Off
108	Voltaje 0%	0 a 10 V	0 V
109	Voltaje 100%	0 a 10 V	10 V
110	Voltaje OFF	0 a 10 V	0 V

**PT**

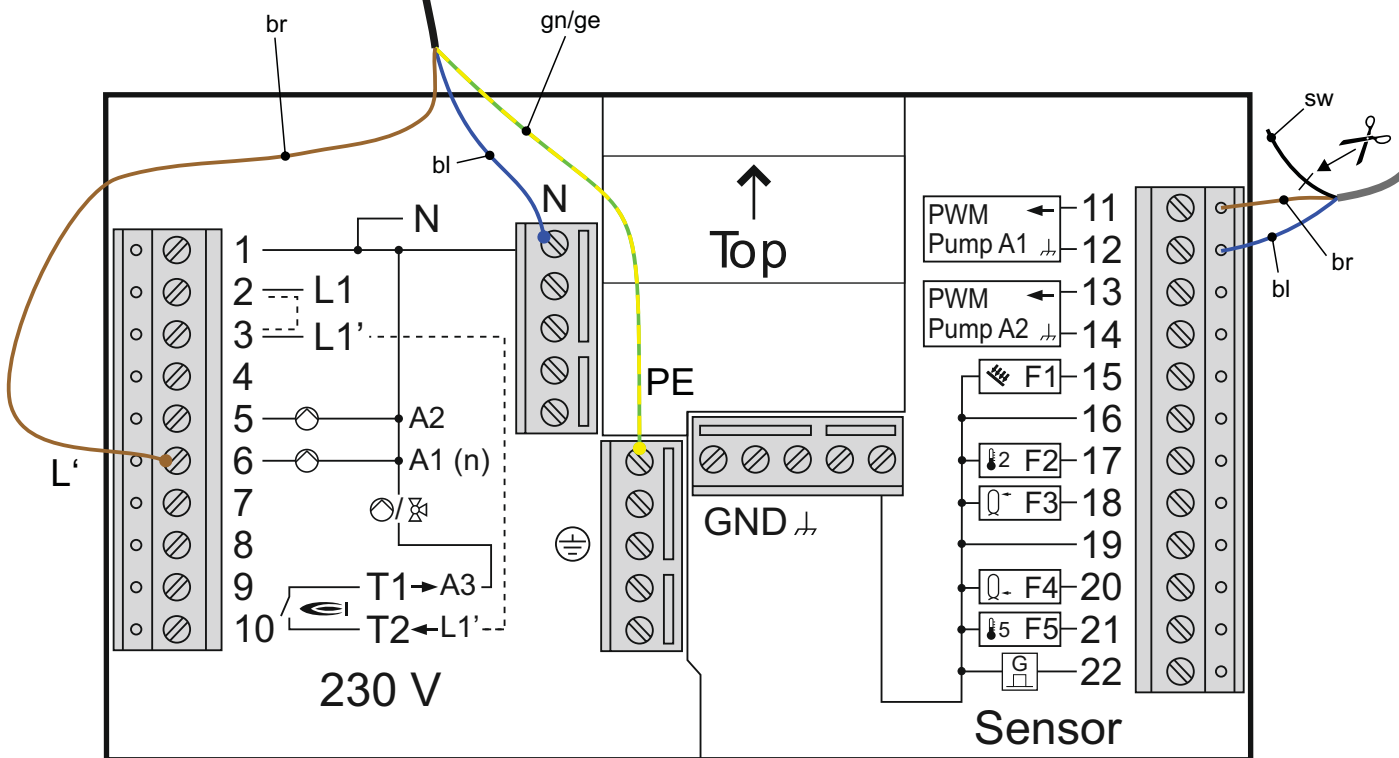
## Controlo da bomba PWM-0...10V

101	Controlo velocidade	PWM; 0...10 V	PWM
102	PWM frequência base	180 Hz; 2 kHz	2 kHz
103	PWM nível ON	0% até 100%	85%
104	PWM nível OFF	0% até 100%	91%
105	PWM nível P.mín	0% até 100%	<del>85%</del> = 15%
106	PWM nível P.máx	0% até 100%	<del>0%</del> = 100%
107	PWM nível P.excesso	Off; 0 % até 100 %	Off
108	Voltagem 0%	0 até 10 V	0 V
109	Voltagem 100%	0 até 10 V	10 V
110	Voltagem OFF	0 até 10 V	0 V





UPM3 SOLAR



	>DE<	>GB<	>FR<	>BE<	>IT<	>ES<	>PT<
<b>br</b>	braun	brown	marron	bruin	marrone	marrón	marrom
<b>sw</b>	schwarz	black	noir	zwart	nero	negro	negro
<b>bl</b>	blau	blue	bleu	blauw	blu	azul	azul
<b>gn/ge</b>	grün/gelb	green/yellow	vert/jaune	groen/geel	verde/giallo	verde/amarillo	verde / amarelo